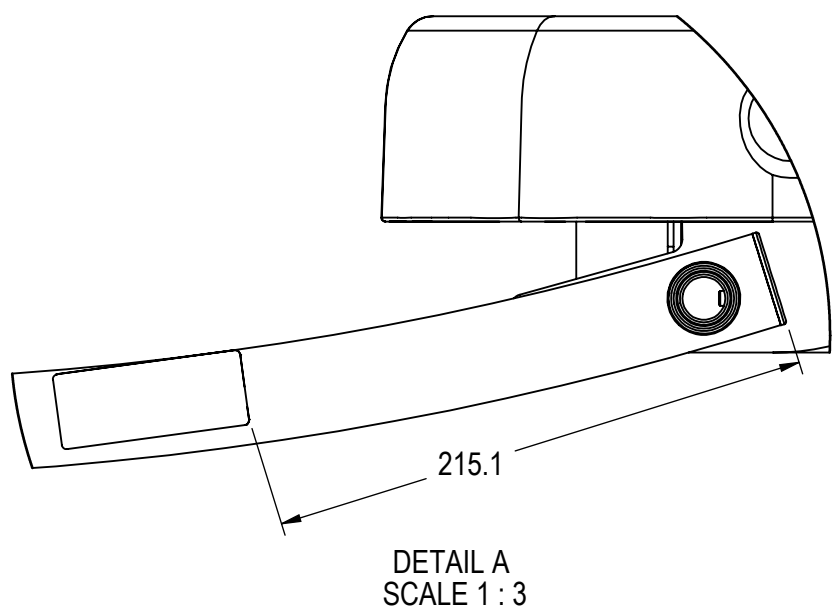
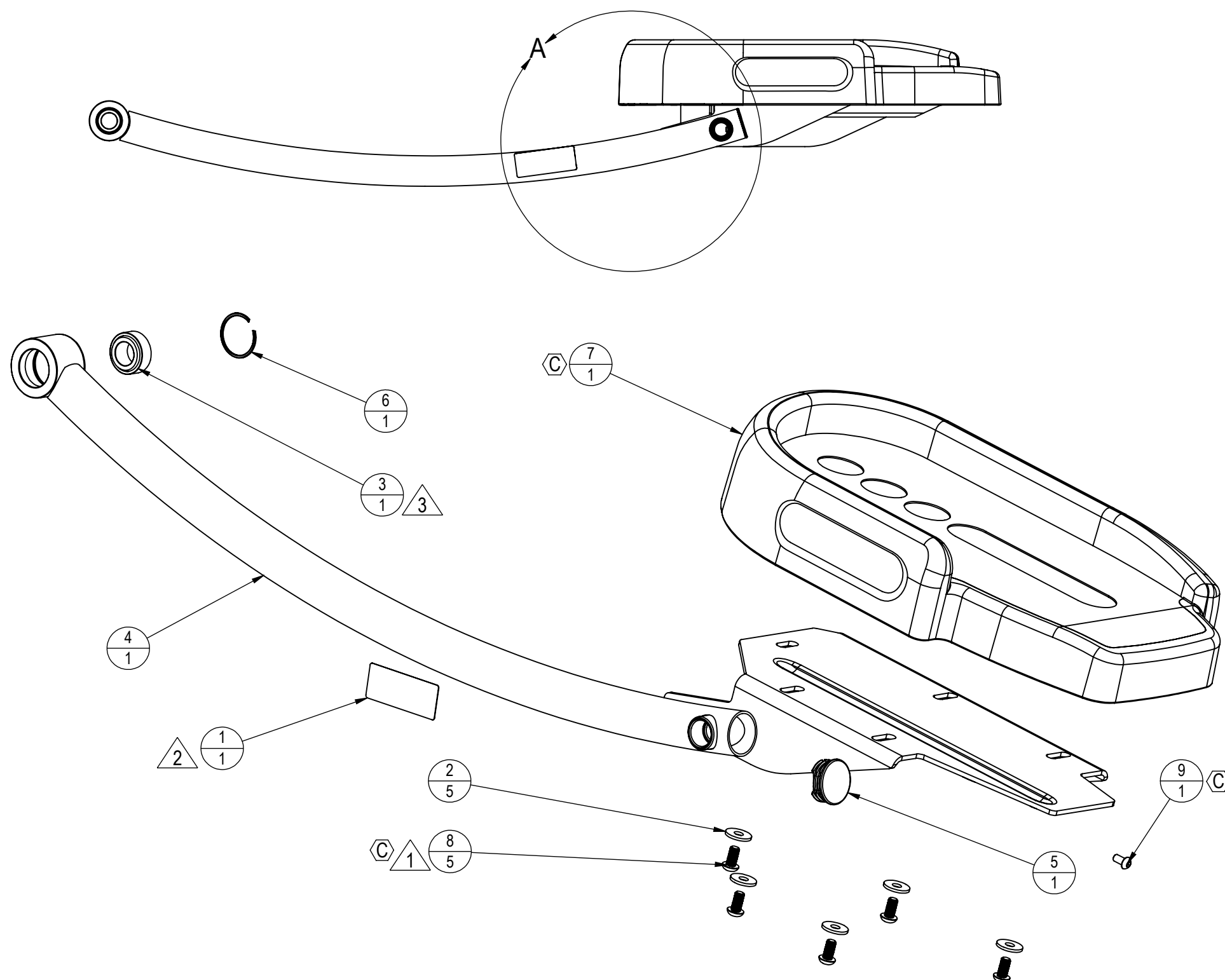


| REVISION HISTORY | | | | |
|------------------|-----------|--|-------|-----|
| REV | DATE | DESCRIPTION | ECO | BY |
| A | 3/21/2011 | PRODUCTION RELEASE | 13487 | SCN |
| B | 12/6/2011 | ADD P/N 740-7850 | 13534 | SD |
| C | 3/19/2013 | PEDAL ASSY REDESIGN, ADDED SET SCREW FOR PEDAL SHAFT | 14130 | SS |



| ITEM NO. | PART NUMBER | DESCRIPTION | QTY. |
|----------|-----------------|---------------------------------------|------|
| 1 | 050-2141 | LABEL, WARNING, SHEAR POINT | 1 |
| 2 | 120-0480 | WASHER, 5/16 ID, 7/8 OD, .087 THK | 5 |
| 3 | 740-4062 | BEARING, SPERICAL, SB20 | 1 |
| 4 | 740-7752 | WELDMENT, LEG/PEDAL, LEFT, E-CT | 1 |
| 5 | 740-7850 | CAP, PLUG, 38mm, OD, E-CT | 1 |
| 6 | 740-7917 | BR 35, RING, SNAP, HOUSING | 1 |
| 7 | 740-8457 | ASSY, FOOT, LEFT, E-CT | 1 |
| 8 | 740-8475 | SCREW, BHCS, M8 X 1.25, 16MM, 18-8 SS | 5 |
| 9 | 110-3525 | SCREW, M6x12, BH, SS | 1 |

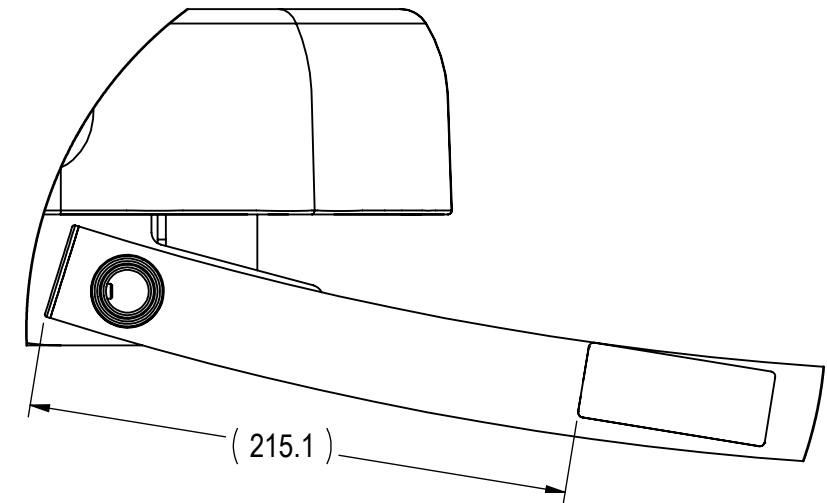
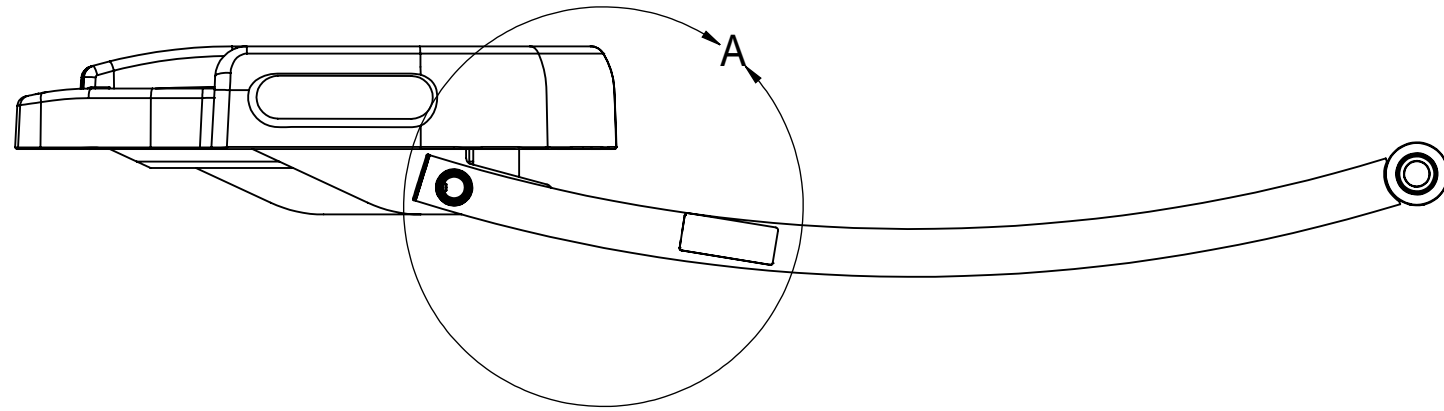
- NOTES:
- TORQUE TO 120 LB-IN/ 10 LB-FT/ 13.6 Nm
 - CLEAN PART WITH DENATURED ALCOHOL PRIOR TO ADHERING LOGO
 - ADD LOCTITE 609 TO BEARING HOUSING, FOLLOW LOCTITE ASSEMBLY INSTRUCTION FOR PROPER APPLICATION AND CLEANING PROCEDURE

DOCUMENT STATUS:

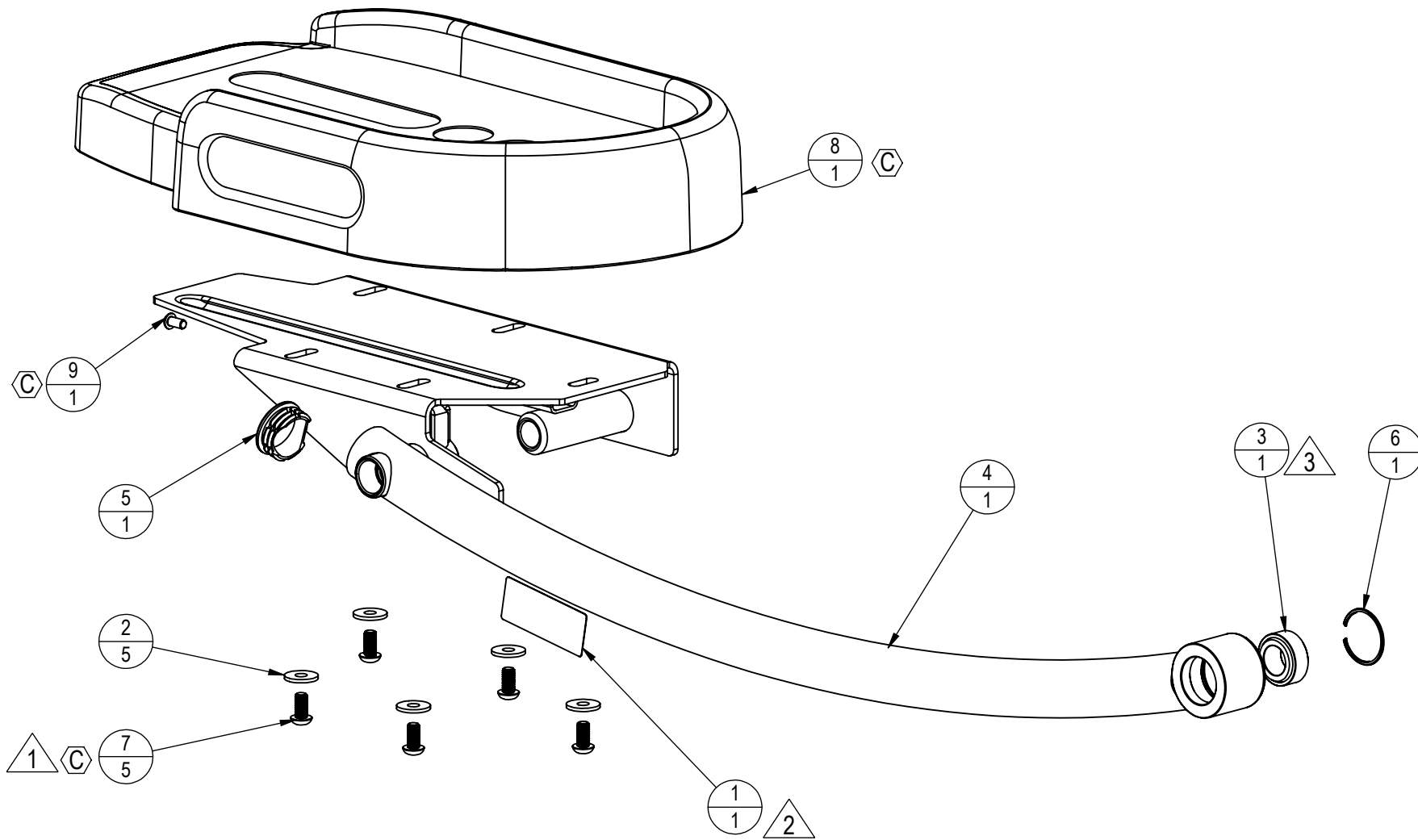
NOTICE OF PROPRIETARY INFORMATION
 THIS DOCUMENT SHALL NOT BE REPRODUCED NOR SHALL THE INFORMATION CONTAINED HEREIN BE USED BY OR DISCLOSED TO OTHER EXCEPT AS EXPRESSLY AUTHORIZED BY CORE INDUSTRIES, INC., D.B.A. STAR TRAC.

| | | | | |
|---------------------|------------------------|-----------------|--------------------------------------|-----------------|
| MATERIAL SEE BOM | THIRD ANGLE PROJECTION | | CORE INDUSTRIES, INC. DBA | |
| FINISH N/A | DRAWN SCN | DATE 8/03/10 | 14410 Myford Road Irvine CA 92606 | |
| VENDOR: N/A | CHECKED | APPROVED | STARTRAC PART NO 740-7788 | REV C |
| P/N: N/A | U.O.M. | | TITLE ASSY, LEG/PEDAL. LEFT, E-CT | SCALE: 1:4 |
| | | | SHEET 1 OF 1 | SHEET SIZE: B |

| REVISION HISTORY | | | | |
|------------------|-----------|--|-------|-----|
| REV | DATE | DESCRIPTION | ECO | BY |
| A | 3/21/2011 | PRODUCTION RELEASE | 13487 | SCN |
| B | 12/6/2011 | ADD P/N 740-7850 | 13534 | SD |
| C | 3/19/2013 | PEDAL ASSEMBLY REDESIGN, ADDED SET SCREW FOR PEDAL SHAFT | 14130 | SS |



DETAIL A
SCALE 1:3



| ITEM NO. | PART NUMBER | DESCRIPTION | QTY. |
|----------|-----------------|---------------------------------------|------|
| 1 | 050-2141 | LABEL, WARNING, SHEAR POINT | 1 |
| 2 | 120-0480 | WASHER, 5/16 ID, 7/8 OD, .087 THK | 5 |
| 3 | 740-4062 | BEARING, SPERICAL, SB20 | 1 |
| 4 | 740-7763 | WELDMENT, LEG/PEDAL, RIGHT, E-CT | 1 |
| 5 | 740-7850 | CAP, PLUG, 38mm, OD, E-CT | 1 |
| 6 | 740-7917 | BR 35, RING, SNAP, HOUSING | 1 |
| 7 | 740-8475 | SCREW, BHCS, M8 X 1.25, 16MM, 18-8 SS | 5 |
| 8 | 740-8476 | ASSY, FOOT, RIGHT, E-CT | 1 |
| 9 | 110-3525 | SCREW, M6x12, BH, SS | 1 |

- NOTES:
- TORQUE TO 120 LB-IN/ 10 LB-FT/ 13.6 Nm
 - CLEAN PART WITH DENATURED ALCOHOL PRIOR TO ADHERING LOGO.
 - ADD LOCTITE 609 TO BEARING HOUSING, FOLLOW LOCTITE ASSEMBLY INSTRUCTIONS FOR PROPER APPLICATION AND CLEANING PROCEDURE

DOCUMENT STATUS:

NOTICE OF PROPRIETARY INFORMATION
THIS DOCUMENT SHALL NOT BE REPRODUCED NOR SHALL THE INFORMATION CONTAINED HEREIN BE USED BY OR DISCLOSED TO OTHER EXCEPT AS EXPRESSLY AUTHORIZED BY CORE INDUSTRIES, INC., D.B.A. STAR TRAC.

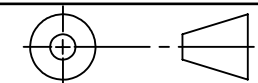
MATERIAL
SEE BOM

FINISH
N/A

VENDOR: N/A

P/N:

THIRD ANGLE PROJECTION



DRAWN
CHECKED
APPROVED

INITIAL
SCN

DATE
7/28/10

U.O.M.

CORE INDUSTRIES, INC. DBA



14410 Myford Road
Irvine CA 92606

STARTRAC PART NO

740-7787

REV

C

TITLE
ASSY, LEG/PEDAL, RIGHT, E-CT

SCALE: 1:4

SHEET 1 OF 1

SHEET SIZE: B